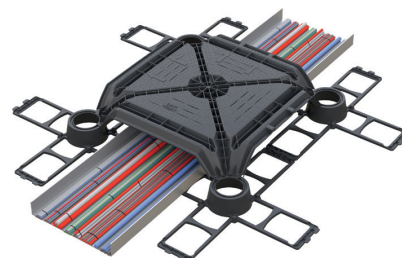


# MATRIX

NEW



## CONCRETE RAISED FLOOR



# THE CONCEPT



Listening to client design requirements gives the inputs to new technologies and construction systems.

The transformation conditions as well as in All these considerations:



## SUITABLE FOR ANY FLOORING

Matrix is suitable for any kind of flooring: laminate, marble, wood, linoleum, etc thanks to the full-surface support of the top concrete surface.



## HIGH LOAD BEARING

The MATRIX concrete slab has a load-bearing capacity up to 1 T/m<sup>2</sup>, suitable for heavy vehicles. The formwork is safe to walk on during the various phases of installation and production of the concrete raised floor.



## DESIGN FLEXIBILITY

MATRIX is designed in order to meet the needs of all parties involved in the design, construction and use of the building, allowing high flexibility in the design phase as well as in the actual installation.



# THE SOLUTION

is designed to produce load-bearing reinforced concrete raised floors. The empty space underneath allows the installation of MEP systems.

The preliminary installation of the Matrix base-grids facilitate routing during the installation of the systems, simplifying the laying of the cable trays. Once the MEP systems are in place, the Matrix formwork is installed over them, followed by the steel reinforcement and finally the concrete pour.

Matrix is suitable for all buildings with large areas requiring flexibility in the installation and management of MEP systems, combined with a high load-bearing capacity.

**HOSPITALS**

**AIRPORTS**

**DATA-CENTERS**

**CRUISE TERMINALS**

**OFFICE BUILDINGS**

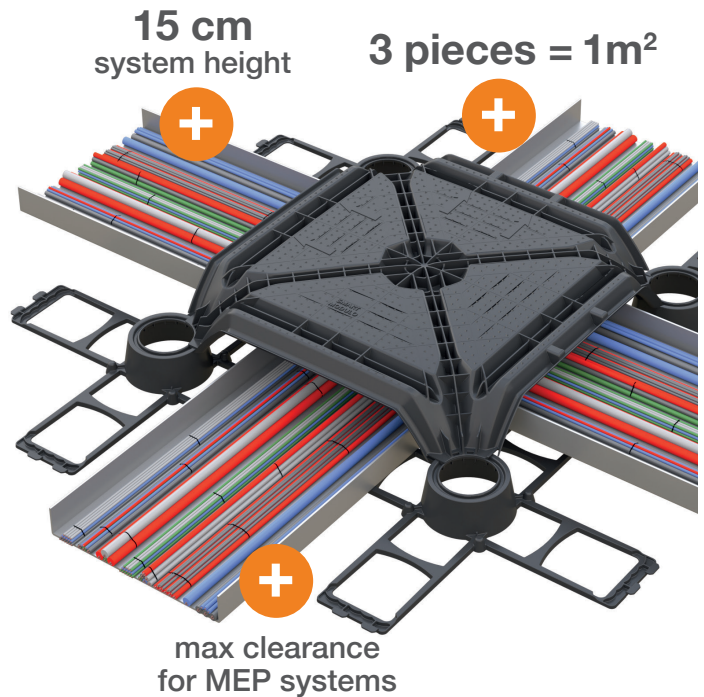
**SHOPPING MALLS**

**STATIONS**

**AND WHITE ROOMS**



**REGENERATED  
PLASTIC MATERIAL**



## CONCRETE RAISED FLOORING



**1** The MATRIX base-grid facilitates installation by clearly indicating the available routing for utilities..



**2** Lay cable trays, electrical tubes and pipes as per project requirements.



**3** Simple and precise installation of the formwork, no particular equipment is necessary during the process.



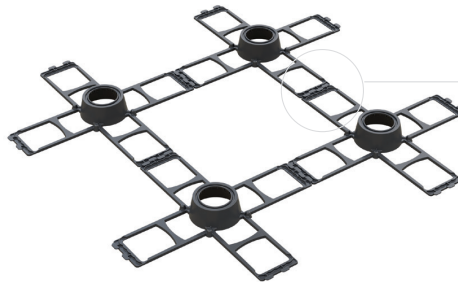
**4** The final result is an high load-bearing, safe and fire-resistant reinforced concrete raised-floor.

# INSTALLATION

## 1

### MATRIX BASE GRID INSTALLATION

Fast and safe laying, without ground fixings that slow down the installation and can damage the support surface. The Matrix base-grids laid on the ground create a clear routing for the passage of the utilities. They are coupled with each other thanks to a pressure clip system that ensures a precise assembly.

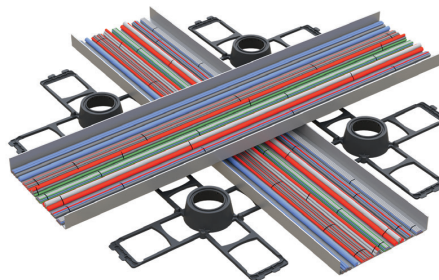


The grids play an important role as spacers, avoiding direct contact between the ducts and the support surface. This detail prevents corrosion phenomena contributing to ensure the integrity of the flooring over time.

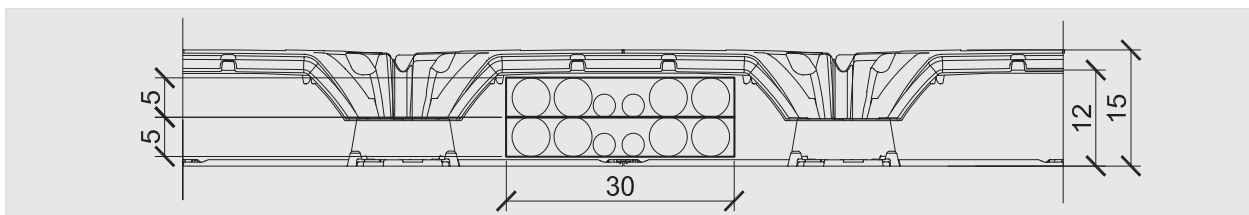
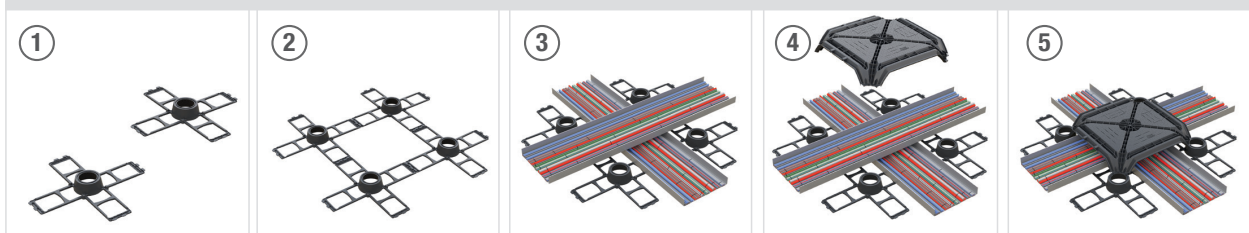
## 2

### MECHANICAL, ELECTRICAL AND PLUMBING SYSTEMS

Installation of MEP systems as for project specifications.



LAYING SEQUENCE WITH TWO OVERLAPPING CABLE TRAYS

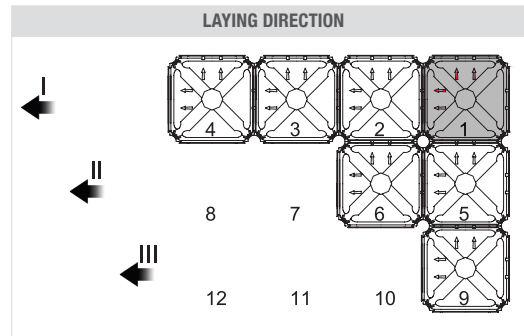
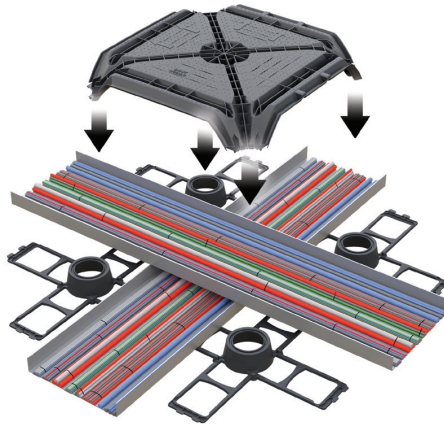




### 3

## INSTALLING THE FORMWORK

The installation of the MATRIX formwork is extremely fast, up to 100 m<sup>2</sup> per man-hour.



### 4

## STEEL REINFORCEMENT AND CONCRETE POUR

Lay the welded-mesh reinforcement, then pour concrete as designed.



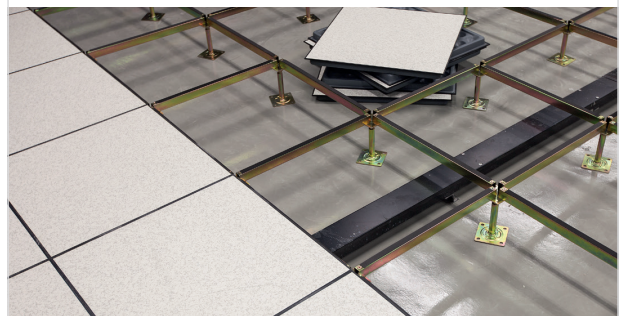
### MATRIX

Load bearing capacity: CLASS 6 constant



### CLASSIC RAISED FLOOR

Load bearing capacity: variable



# FLOORING

## VERSATILE AND CUSTOMIZABLE

The raised area is seamless and is suitable in any context, flexible even in the case of change of use of the building. MATRIX is compatible with standard accessories such as electrical- and network- outlet floor boxes, floor hatches, grids, etc. The ample flexibility offered in the choice of flooring is an added advantage offered by MATRIX to designers and users.



## SYSTEMS ACCESSIBILITY



MATRIX allows the creation of on-site inspection hatches for access to the MEP systems.. The system is flexible and accepts most cable and socket boxes available in the market.



## EXCELLENT ACOUSTICS



Due to their construction, traditional raised floors can create booming, creaking and clicking noises. By its very nature, a Matrix concrete raised floor eliminates all of that.





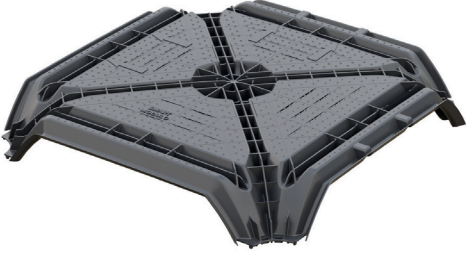
# MATRIX

Geoplast has decades of experience in developing and manufacturing raised floor formwork for the construction industry. This expertise led to the development of MATRIX, the universal solution for concrete raised floor for MEP systems.

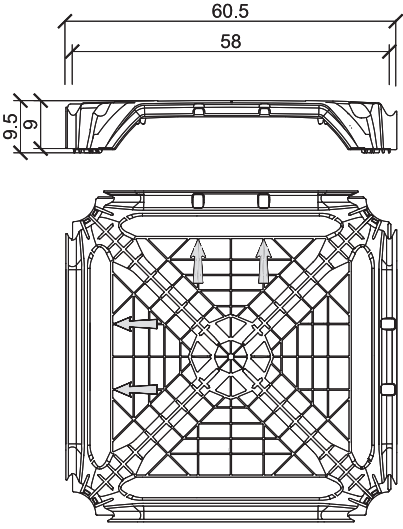
The system is composed of 2 elements: a flat-dome formwork and a four-arm base-grid, both made of 100% recycled polypropylene.

## TECHNICAL DATA


**MATRIX FORMWORK**



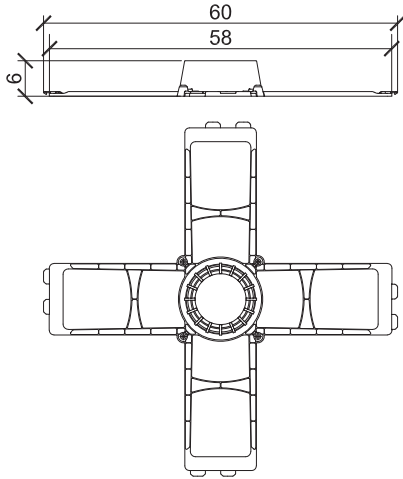
Dimensions (cm)	58 x 58 x H9
Material	Graplene (Recycled Polypropylene Compound)
Packing dim. (cm)	122 x 122 x H253
No. pieces per pallet	312
Product Code	EELESMF5858



**MATRIX BASE GRID**



Dimensions (cm)	58 x 58 x 6
Material	Graplene
Packing dim. (cm)	100 x 140 x H253
No. pieces per pallet	1135
Product Code	EELESMG5858



uniconstruct

[www.uniconstruct.be](http://www.uniconstruct.be)