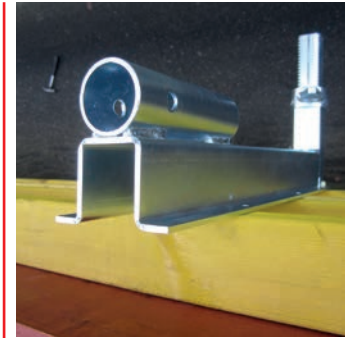
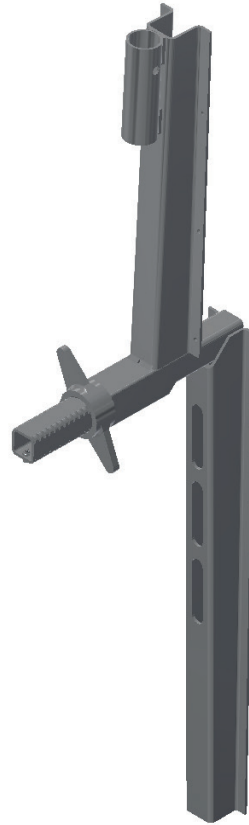
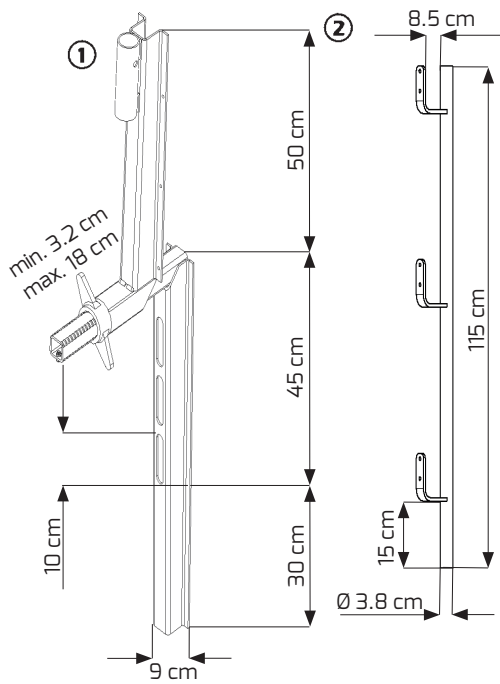


# VARIO-FLEX 18 FORMWORK SUPPORT

for vertical ceiling stop end





- ① **Vario Flex 18**  
thick layer passivation, weight 10.40 kg
- ② **Guard Rail Post, round tube**  
galvanized, weight 3.95 kg

### Your advantages:

- robust design
- 3 different mounting positions
- Slide with 90mm wide support plate for board surge